

(19) World Intellectual Property Organization
International Bureau



(43) International Publication Date
30 August 2007 (30.08.2007)

PCT

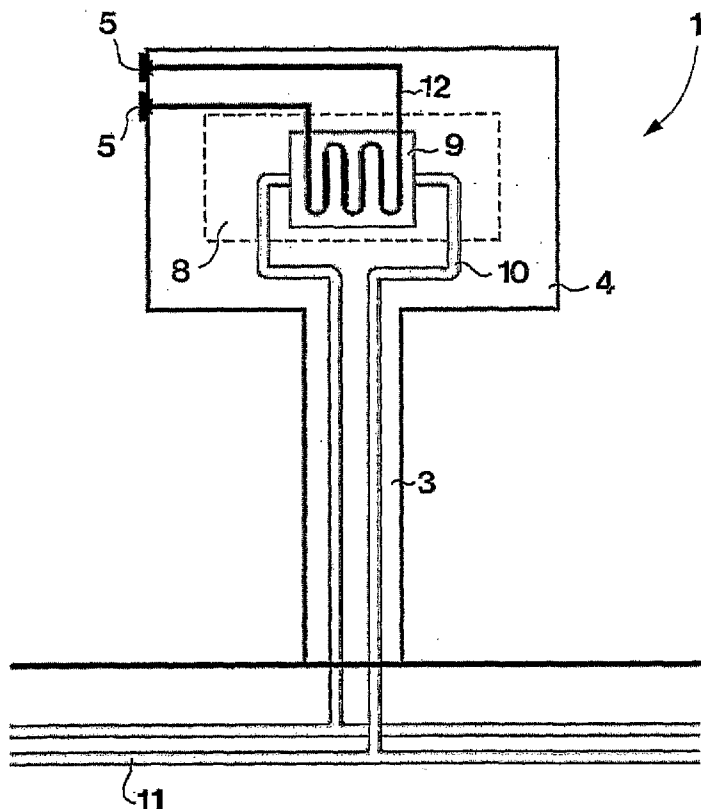
(10) International Publication Number
WO 2007/097668 A1

- (51) International Patent Classification:
B60H 1/22 (2006.01) *F01P 11/20* (2006.01)
- (21) International Application Number:
PCT/SE2006/001285
- (22) International Filing Date:
14 November 2006 (14.11.2006)
- (25) Filing Language: Swedish
- (26) Publication Language: English
- (30) Priority Data:
0600423-8 27 February 2006 (27.02.2006) SE
- (71) Applicant (for all designated States except US): **JP EI & VVS TEKNIK AB** [SE/SE]; Rörsvägen 39, S-840 95 Funäsdalen (SE).
- (72) Inventor; and
- (75) Inventor/Applicant (for US only): **PETTERSSON, John** [SE/SE]; Åkervägen 30, S-840 95 Funäsdalen (SE).
- (74) Agent: **DR. LUDWIG BRANN PATENTBYRÅ AB**; Box 171 92, S-104 62 Stockohlm (SE).

- (81) Designated States (unless otherwise indicated, for every kind of national protection available): AE, AG, AL, AM, AT, AU, AZ, BA, BB, BG, BR, BW, BY, BZ, CA, CH, CN, CO, CR, CU, CZ, DE, DK, DM, DZ, EC, EE, EG, ES, FI, GB, GD, GE, GH, GM, GT, HN, HR, HU, ID, IL, IN, IS, JP, KE, KG, KM, KN, KP, KR, KZ, LA, LC, LK, LR, LS, LT, LU, LV, LY, MA, MD, MG, MK, MN, MW, MX, MY, MZ, NA, NG, NI, NO, NZ, OM, PG, PH, PL, PT, RO, RS, RU, SC, SD, SE, SG, SK, SL, SM, SV, SY, TJ, TM, TN, TR, TT, TZ, UA, UG, US, UZ, VC, VN, ZA, ZM, ZW.
 - (84) Designated States (unless otherwise indicated, for every kind of regional protection available): ARIPO (BW, GH, GM, KE, LS, MW, MZ, NA, SD, SL, SZ, TZ, UG, ZM, ZW), Eurasian (AM, AZ, BY, KG, KZ, MD, RU, TJ, TM), European (AT, BE, BG, CH, CY, CZ, DE, DK, EE, ES, FI, FR, GB, GR, HU, IE, IS, IT, LT, LU, LV, MC, NL, PL, PT, RO, SE, SI, SK, TR), OAPI (BF, BJ, CF, CG, CI, CM, GA, GN, GQ, GW, ML, MR, NE, SN, TD, TG).
- Published:
— with international search report

[Continued on next page]

(54) Title: A DOCKING UNIT FOR HEATING/COOLING A PARKED VEHICLE, AS WELL AS A VEHICLE ARRANGED TO BE CONNECTED TO SUCH A DOCKING UNIT



(57) Abstract: The present invention refer to a docking unit for transmitting energy between a separate fluid system (11) and a vehicle (2), comprising a heat exchanger (8), which is connected to a first fluid circuit (10) that is connectable to said separate fluid system (11), and a second fluid circuit (12) that is arranged to be connected to a climate system present in said vehicle (2). The inventive docking unit is characterized in that said second fluid circuit (12) is arranged upon connection to the vehicle (2) to constitute a part of an energy transmitting fluid circuit comprised in said climate system. The present invention also refer to a vehicle arranged to be connected to such a docking unit (4).

WO 2007/097668 A1

